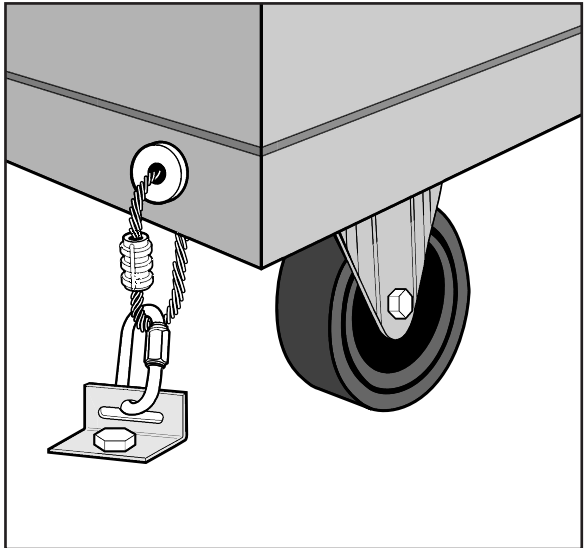
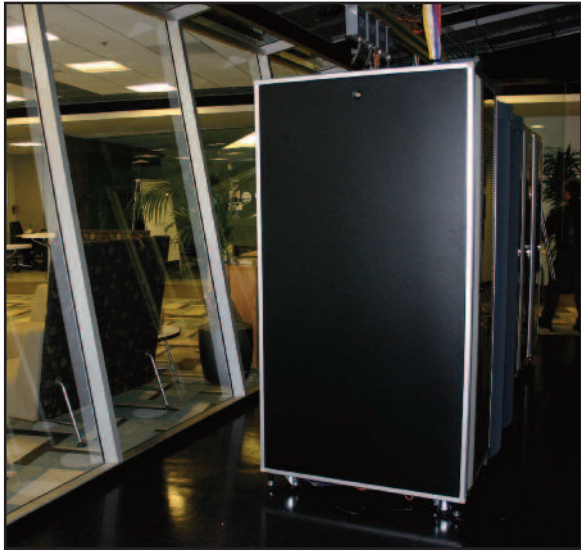




Cabinet to Concrete Floor - Seismic Fastening



Corporate Office:
1150 Simpson Way
Escondido
California
92029
760-466-1060
760-466-1057 fax
www.QuakeHOLDIndustrial.com

Los Angeles Office:
411 S. Vermont Avenue
Glendora
California
91741
626-852-8800
626-852-8801 fax

San Francisco Bay Area Office:
22113 Queen Street
Castro Valley
California
94546
800-959-4053
510-363-8067 fax

C/2	Equipment to Concrete Floor	S.S.
-----	-----------------------------	------