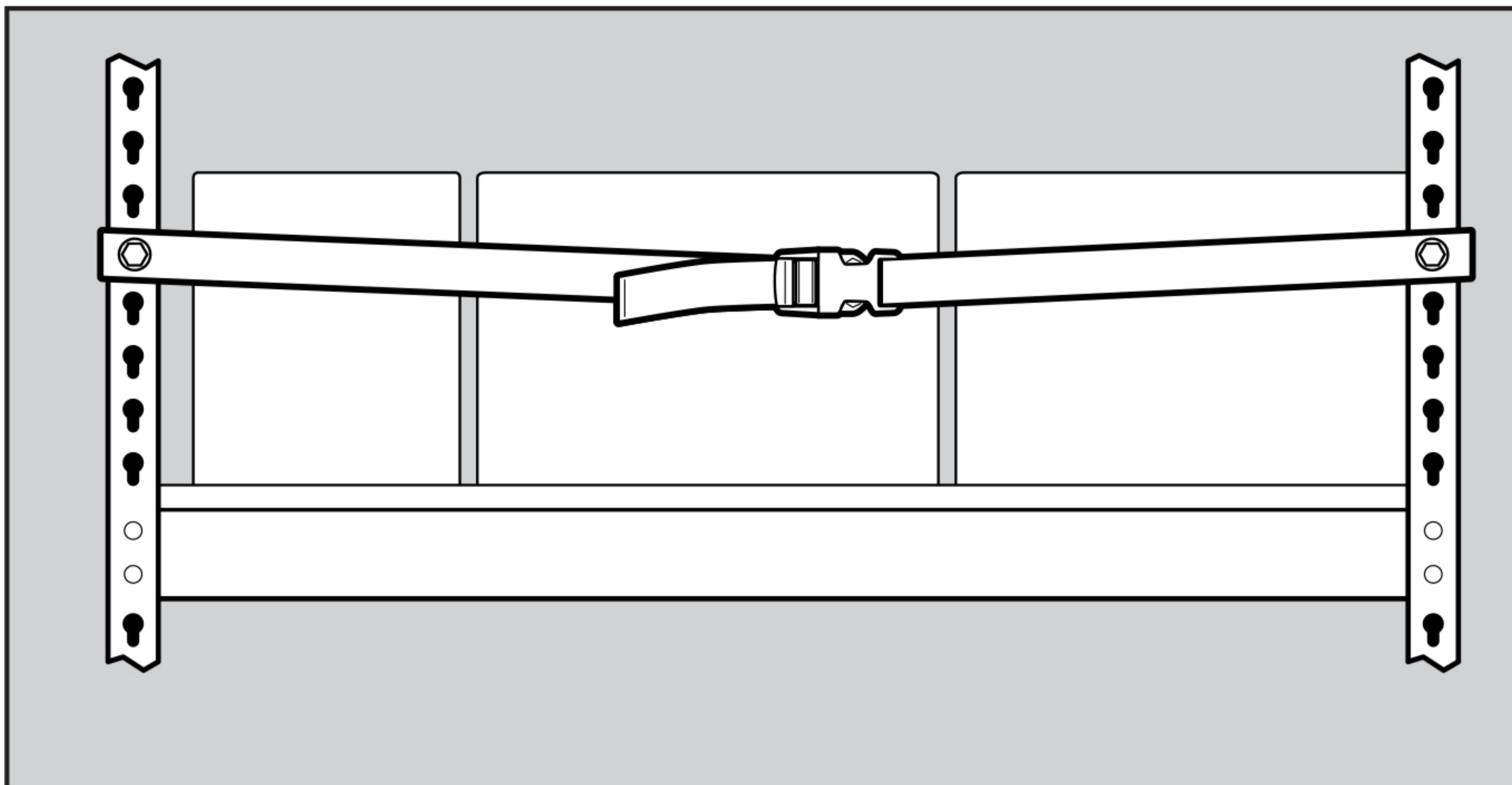


# Storage Shelf Straps - Seismic Restraint



**Name:** Storage Shelf Strap

**Part Number:** 4517 (with side-release plastic buckle)

**Color:** Gray

**Purpose:** Safeguard shelf contents

**Adjustability:** Strap and buckle accommodate oversized shelf items

**Kit Contains:** 1 strap up to 60"

**Fastening Method:** Screw into vertical support.

www.QuakeHOLDIndustrial.com

**Corporate Office:**

1399 Specialty Drive  
Vista CA 92081  
Phone: (800) 232-7836  
Fax: (760) 295-0235

**Los Angeles Office:**

411 South Vermont Ave.  
Glendora CA 91741  
Phone: (805) 551-1446  
Fax: (760) 295-0235

**San Francisco Bay Area Office:**

26062 Eden Landing Rd.  
Unit #2  
Hayward CA 94546  
Phone: (530) 333-7186  
Fax: (760) 295-0235

**Seattle Office:**

420 South 96th Street  
Seattle WA 98108  
Phone: (800) 959-4053  
Fax: (760) 295-0235