



Corporate Office:

1150 Simpson Way
Escondido
California
92029

760-466-1060

760-466-1057 fax

www.QuakeHOLDIndustrial.com

Los Angeles Office:

411 S. Vermont Avenue
Glendora
California
91741

626-852-8800

626-852-8801 fax

San Francisco Bay Area Office:

22113 Queen Street
Castro Valley
California
94546

800-959-4053

510-363-8067 fax

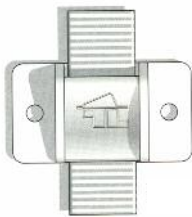
Laboratory Countertop - Seismic Fastening



U.L. Rated

TL.200.G	50 lb equip - (4) T-2, (2) 4" strap	Gray
TL.400.G	70 lb equip - (4) T-4, (2) 5" strap	Gray
TL.600.G	200 lb equip - (4) T-6, (2) 8" strap	Gray

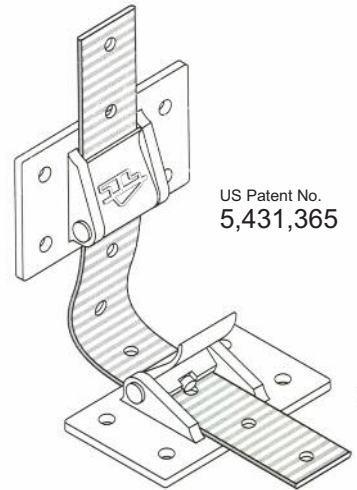
TL.200.B	50 lb equip - (4) T-2, (2) 4" strap	Black
TL.400.B	70 lb equip - (4) T-4, (2) 5" strap	Black
TL.600.B	200 lb equip - (4) T-6, (2) 8" strap	Black



TL-200
Use for items up to 50 lbs.



TL-400
Use for items up to 75 lbs.



US Patent No.
5,431,365

TL-600
Use for items up to 200 lbs.



TL-200
Used on 3 top items

TL-400
Used on bottom item

