



Corporate Office:

1150 Simpson Way
Escondido
California
92029

760-466-1060
760-466-1057 fax

www.QuakeHOLDIndustrial.com

Los Angeles Office:

411 S. Vermont Avenue
Glendora
California
91741

626-852-8800
626-852-8801 fax

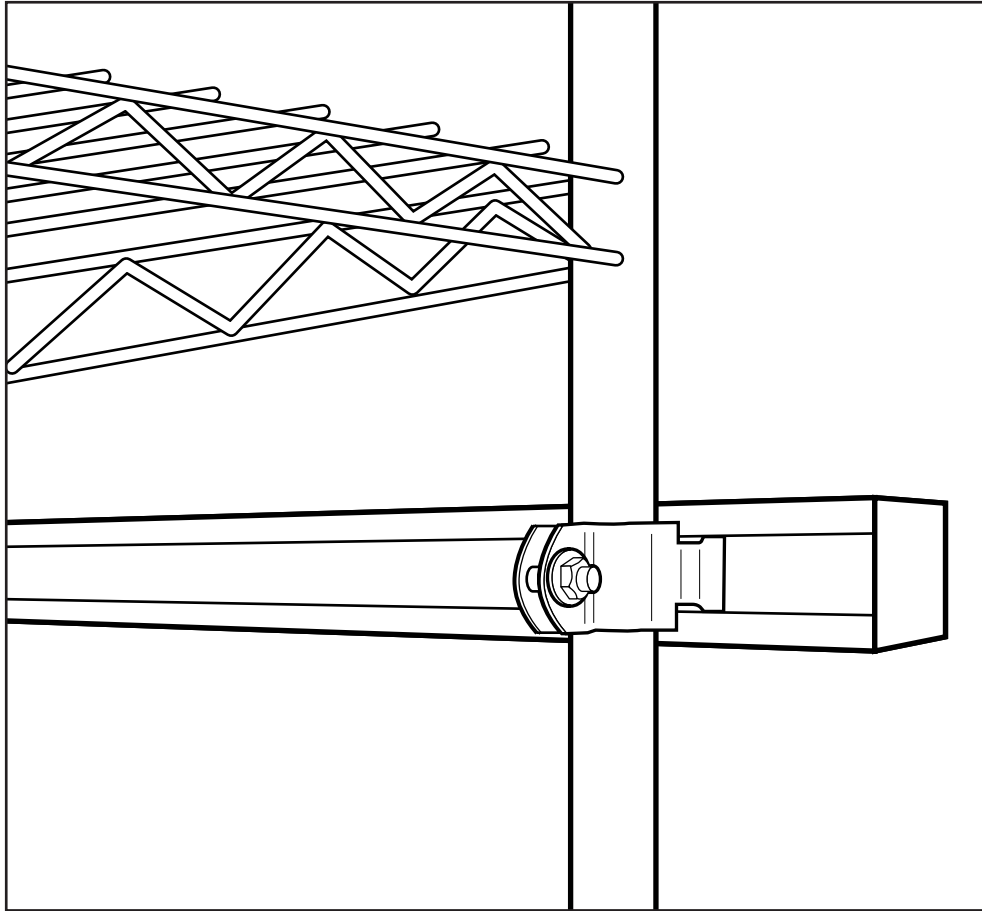
San Francisco Bay Area

Office:

22113 Queen Street
Castro Valley
California
94546

800-959-4053
510-363-8067 fax

Metro Rack Wall Mount to Strut



How it works:

Strut is mounted approximately 12" below the top of the Metro Rack to a minimum of three wall studs behind. Wire-shelving mounting clamps are attached to the two back vertical posts and attach the unit to the strut.

Metro Rack can be easily moved from one location to another where strut has been installed.

Strut:

- 1-5/8" x 1-5/8" x 72" metal strut spanning a minimum of three studs

Wire-Shelving Mounting Clamp:

- 600 lbs. working load per clamp

Option: All components are available in stainless steel. Quote upon request.

Part Number: U6.MET.Z