



**Corporate Office:**

1150 Simpson Way  
Escondido  
California  
92029

760-466-1060

760-466-1057 fax

www.QuakeHOLDIndustrial.com

**Los Angeles Office:**

411 S. Vermont Avenue  
Glendora  
California  
91741

626-852-8800

626-852-8801 fax

**San Francisco Bay Area**

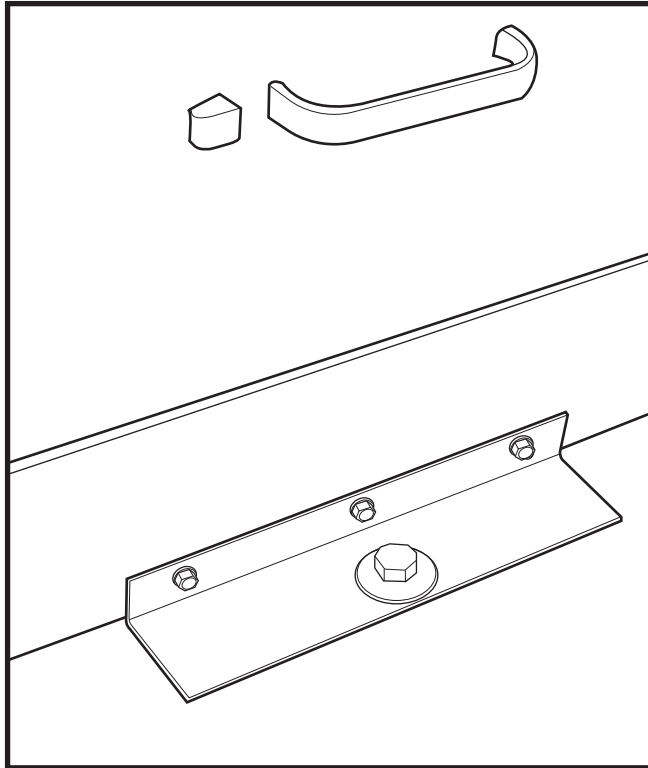
**Office:**

22113 Queen Street  
Castro Valley  
California  
94546

800-959-4053

510-363-8067 fax

# Horizontal Floor Bracket



**Name:** Horizontal Floor Bracket

**Part Number:** 01.02.09.S

**Material:** Stainless Steel

**Color:** Silver

**Purpose:** Secure file cabinets to concrete floor

**Kit Contains:** (1) Horizontal Floor Bracket - (1) 9/16" & (3) 1/4" holes

**Fastening Method:** Bracket attaches to cabinet with bolts or tek screws and is anchored to concrete floor

**Anchor Type:** *Kwik Bolt 3 Anchor KB3 1/2" x 3-3/4"*

**Tension strength:** *2,440 lb*

**Shear strength:** *3,020 lb*

**Minimum hole depth:** *3-1/2"*

**Removable:** *Cut off, or punch into deeper drilled hole*

**Strength:** *Based on 4,000 psi concrete*

**# of Anchors:** *1*