

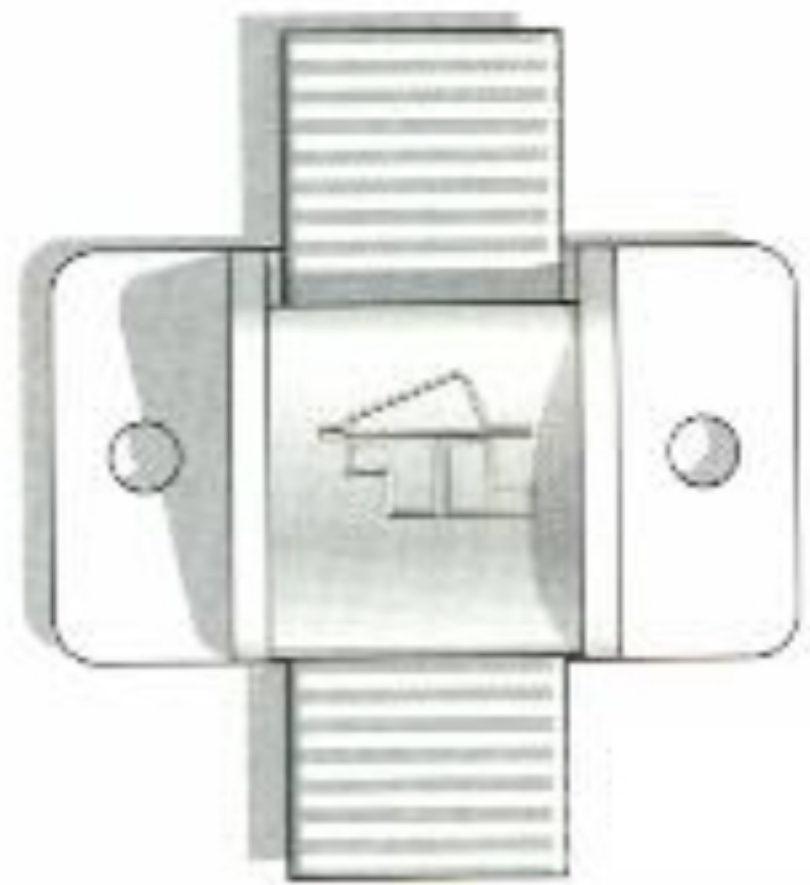
Laboratory Countertop - Seismic Fastening



U.L. Rated

TL.200.G	50 lb equip - (4) T-2, (2) 4" strap	Gray
TL.400.G	70 lb equip - (4) T-4, (2) 5" strap	Gray
TL.600.G	200 lb equip - (4) T-6, (2) 8" strap	Gray

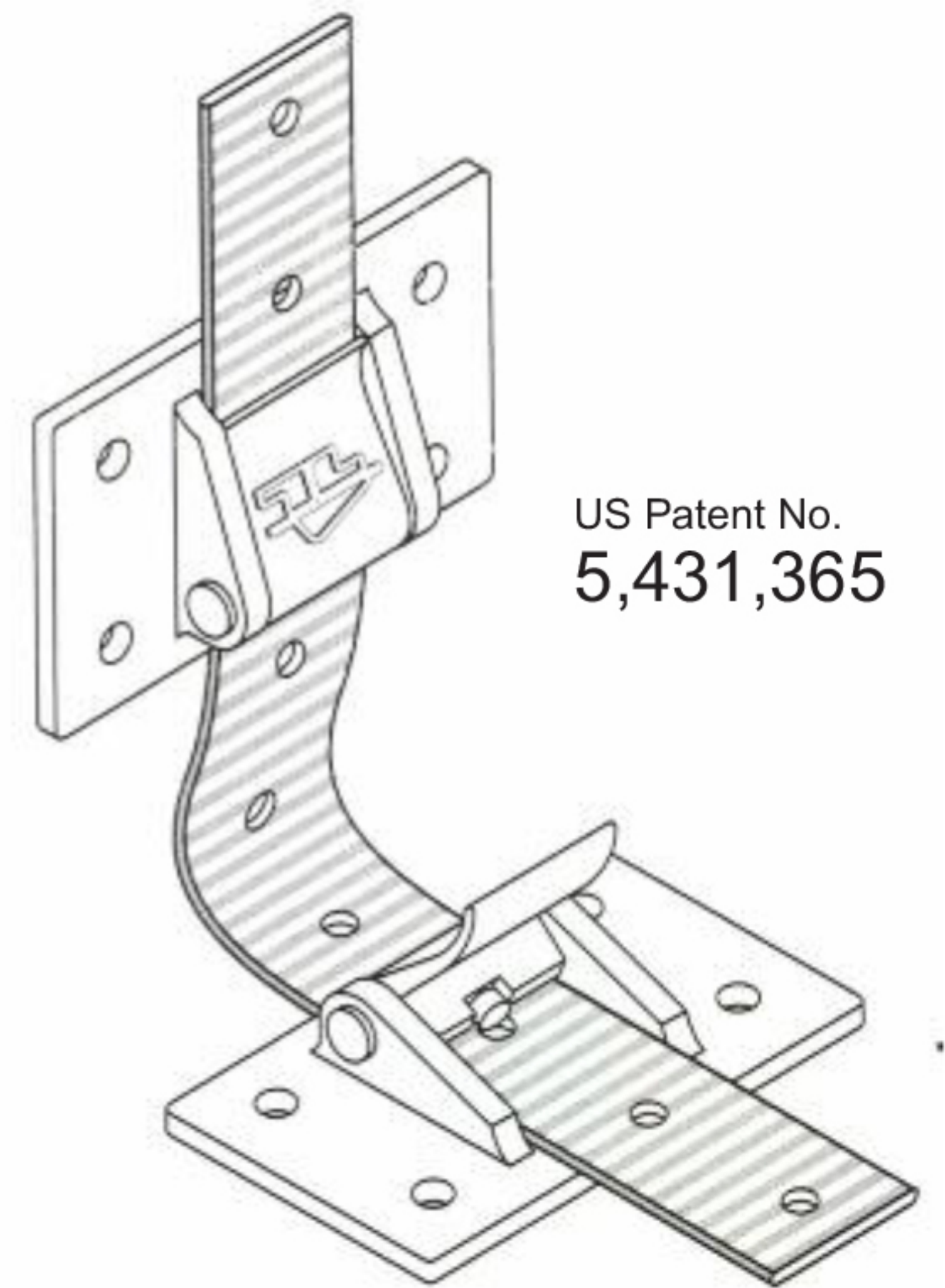
TL.200.B	50 lb equip - (4) T-2, (2) 4" strap	Black
TL.400.B	70 lb equip - (4) T-4, (2) 5" strap	Black
TL.600.B	200 lb equip - (4) T-6, (2) 8" strap	Black



TL-200
Use for items up to 50 lbs.



TL-400
Use for items up to 75 lbs.



US Patent No.
5,431,365

TL-600
Use for items up to 200 lbs.



TL-200
Used on 3 top items

TL-400
Used on bottom item



www.QuakeHOLDIndustrial.com

Corporate Office:
1399 Specialty Drive
Vista CA 92081
Phone: (800) 232-7836
Fax: (760) 295-0235

Los Angeles Office:
411 South Vermont Ave.
Glendora CA 91741
Phone: (805) 551-1446
Fax: (760) 295-0235

San Francisco Bay Area Office:
26062 Eden Landing Rd.
Unit #2
Hayward CA 94546
Phone: (530) 333-7186
Fax: (760) 295-0235

Seattle Office:
420 South 96th Street
Seattle WA 98108
Phone: (800) 959-4053
Fax: (760) 295-0235