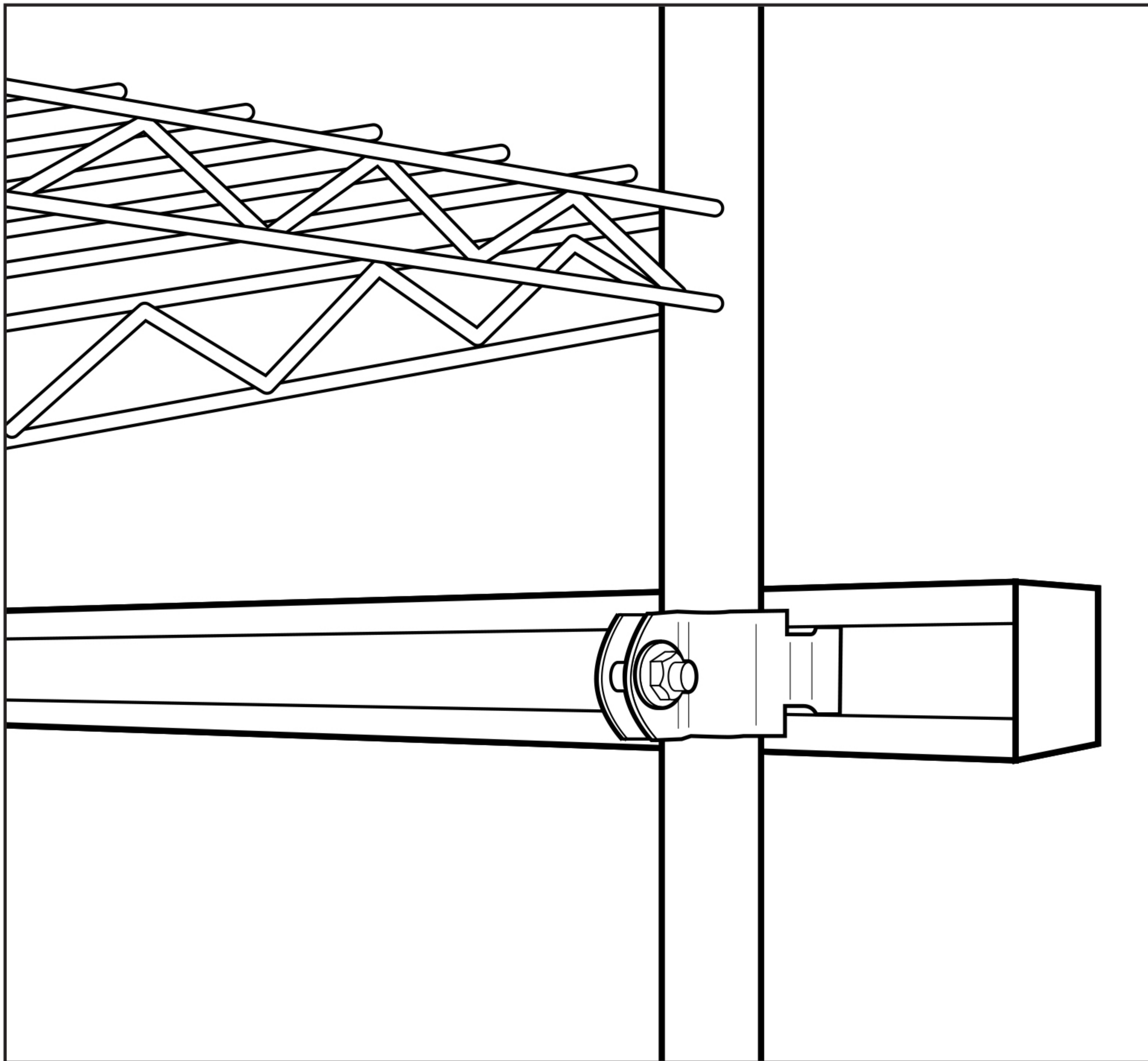


Metro Rack Wall Mount to Strut



How it works:

Strut is mounted approximately 12" below the top of the Metro Rack to a minimum of three wall studs behind. Wire-shelving mounting clamps are attached to the two back vertical posts and attach the unit to the strut.

Metro Rack can be easily moved from one location to another where strut has been installed.

Strut:

- 1-5/8" x 1-5/8" x 72" metal strut spanning a minimum of three studs

Wire-Shelving Mounting Clamp:

- 600 lbs. working load per clamp

Option: All components are available in stainless steel. Quote upon request.

Part Number: U6.MET.Z



www.QuakeHOLDIndustrial.com

Corporate Office:

1399 Specialty Drive
Vista CA 92081
Phone: (800) 232-7836
Fax: (760) 295-0235

Los Angeles Office:

411 South Vermont Ave.
Glendora CA 91741
Phone: (805) 551-1446
Fax: (760) 295-0235

San Francisco Bay Area Office:

26062 Eden Landing Rd.
Unit #2
Hayward CA 94546
Phone: (530) 333-7186
Fax: (760) 295-0235

Seattle Office:

420 South 96th Street
Seattle WA 98108
Phone: (800) 959-4053
Fax: (760) 295-0235